

# SOLIHULL JUNIOR SCHOOL

8+ ENTRANCE EXAMINATION

MATHEMATICS

SAMPLE PAPER 2



# SOLIHULL

**SOLIHULL SCHOOL 8+ ENTRANCE EXAMINATION**

**MATHEMATICS**

**SAMPLE PAPER**

**Time: 45 minutes**

Answer all questions in the spaces provided. Make sure that your answers are clear. You may use the spaces around each question to do your working out. The number of marks you would score for getting each question correct is in brackets on the right hand side of the page. *If you cannot do a question, leave it and go on to the next.*

1. Use any method you like to work out the answer to the following questions. You can do them in your head or show your working out on this page.

a.  $12 + 17 =$  \_\_\_\_\_ (1)

b.  $26 + 33 =$  \_\_\_\_\_ (1)

c.  $4 \times 6 =$  \_\_\_\_\_ (1)

d.  $8 \times 3 =$  \_\_\_\_\_ (1)

e.  $39 - 14 =$  \_\_\_\_\_ (1)

f.  $86 - 38 =$  \_\_\_\_\_ (1)

2. Write the number 2079 in words

\_\_\_\_\_ (1)

3. Write the number 13564 in words

\_\_\_\_\_ (1)

4. Draw a circle around the value of the underlined digits in the numbers below:

293      900      90      9      (1)

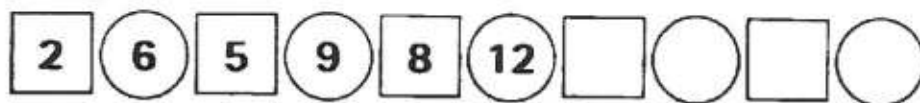
8761      8000      800      80      8      (1)

5. Complete the missing numbers in the sequences below:

13, 19, 25, 31, \_\_\_\_\_, \_\_\_\_\_ (1)

196, \_\_\_\_\_, 190, 187, \_\_\_\_\_ (1)

6. Continue with this number pattern. Write down the next 4 numbers in the blank circles and the squares.



(2)

7. Write these numbers in order of value starting with the largest and finishing with the smallest.

391      193      913      931      319      139      (2)

\_\_\_\_\_

8. Round 876
- to the nearest 10      \_\_\_\_\_      (1)
- to the nearest 100      \_\_\_\_\_      (1)
- to the nearest 1000      \_\_\_\_\_      (1)

9. Make up £1.36 using as few coins as possible      (4)
- 

10. Use any method you like to work out the answer to the following questions. You can do them in your head or show your working out on this page.

a.  $248 + 483 =$  \_\_\_\_\_      (2)

b.  $92 + 133 + 9 =$  \_\_\_\_\_      (2)

c.  $282 - 121 =$  \_\_\_\_\_      (1)

d.  $582 - 237 =$  \_\_\_\_\_      (2)

11. Work out the missing digits in the following questions and write them in the squares.      (4)

$$\begin{array}{r}
 3 \square\square \\
 + \quad 74 \\
 \hline
 416
 \end{array}$$

$$\begin{array}{r}
 6\square7 \\
 - \square45 \\
 \hline
 362
 \end{array}$$

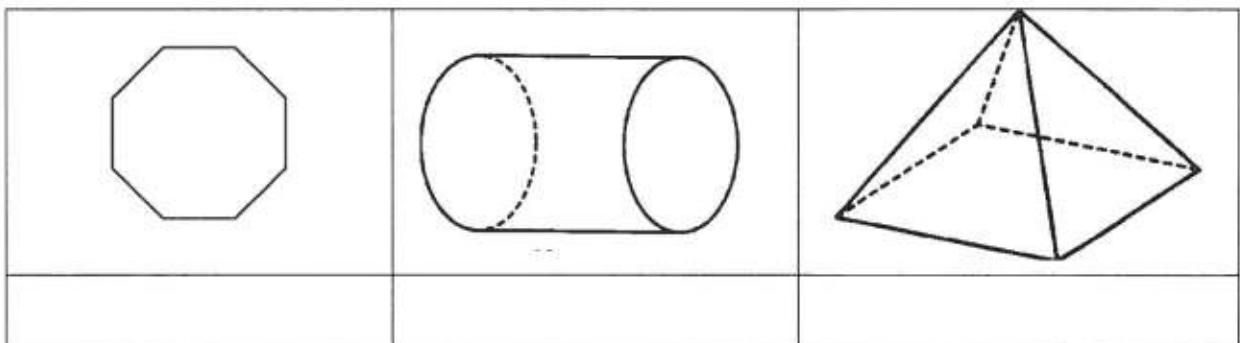
12. Circle 3 numbers which divide by 5 with no remainder. (3)

74	75	76
81	82	83
88	89	90
95	96	97

13. Circle two numbers which add up to 140. (1)

64	65	66
74	75	76
84	85	86

14. Write the names of these shapes in the spaces beneath each one. (3)



15. The time that should be showing on each clock face is written beneath each one. Fill in the hands on each clock remembering that the hour hand is shorter than the minute hands. (3)



Quarter to 8	Twenty five minutes past 3	5 minutes to 7
--------------	----------------------------	----------------

16. How many minutes are there in 3 hours 27 minutes? (2)

\_\_\_\_\_

17. How many grams are there in  $7\frac{3}{4}$  kgs? (2)

\_\_\_\_\_

18. Matthew sets off with 60 pints of milk. He delivers 14 pints to the school, 28 to the hospital and 6 to the shop. How many pints were left with Matthew? (3)

\_\_\_\_\_

19. Use any method you like to work out the answer to the following questions. You can do them in your head or show your working out on this page.

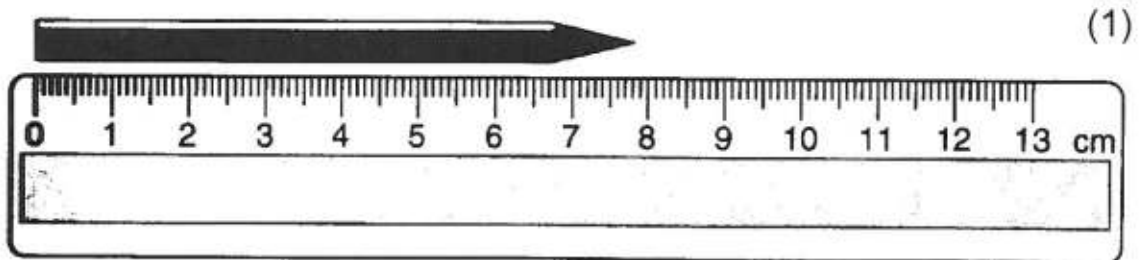
a.  $36 \times 5 =$  \_\_\_\_\_ (1)

b.  $472 \times 10 =$  \_\_\_\_\_ (1)

c. Double 73 = \_\_\_\_\_ (1)

d.  $162 \times 4 =$  \_\_\_\_\_ (2)

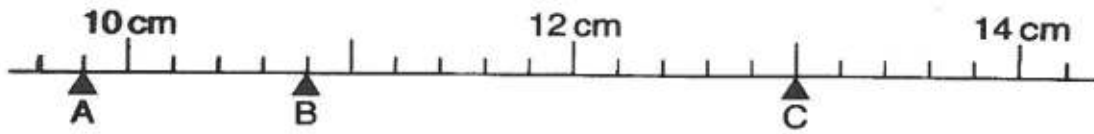
20. Here is a picture of a pencil.



**What** is the length of the pencil.

**Give** your answer in centimetres, correct to one decimal place.

21. The picture shows part of a metre rule. (3)  
Write down the values that arrows A, B and C are pointing to on this rule.



- a) A =  cm      b) B =  cm      c) C =  cm

22. Tom and Mary went to the fair. They both had £10.00 to spend.

**Big Dipper £2.25**

**Waltzer £1.50**

**Ghost Train £2.50**

- a. Mary had a ride on each. How much did this cost? (2)

\_\_\_\_\_

- b. Tom had two rides on the Big Dipper and two rides on the Ghost Train. Will he have enough money to have one go on the Waltzer? Show your working out. (3)

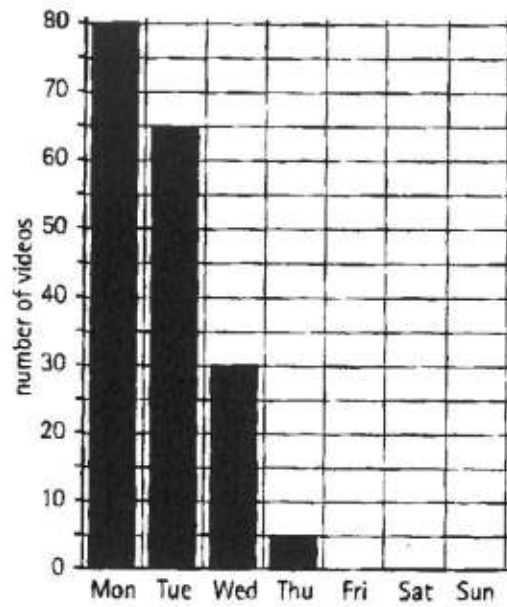
\_\_\_\_\_



23.

This table shows the number of videos rented from 'Videos@Us' in one week in December.

Video rental from 'Videos@Us'	
Day	Number
Monday	80
Tuesday	65
Wednesday	30
Thursday	5
Friday	50
Saturday	75
Sunday	55



a. Complete the bar chart showing the number rented on Friday, Saturday and Sunday. (3)

b. How many videos are rented on Saturday and Sunday? (1)

\_\_\_\_\_

c. Which is the most popular day to rent a video? (1)

\_\_\_\_\_

24. What fraction of each shape is shaded?

(a)  \_\_\_\_\_ (1)

(b)  \_\_\_\_\_ (1)

(c)  \_\_\_\_\_ (1)

(d)  \_\_\_\_\_ (1)

e. Which of the shaded shapes have fractions that are equivalent fractions? (1)

\_\_\_\_\_

**You have now completed the test.  
Go back and check your answers.**

**TOTAL (75)**